



# **AZL Aluminum Mobile Scaffold**

## **Packing List & Installation Guide**

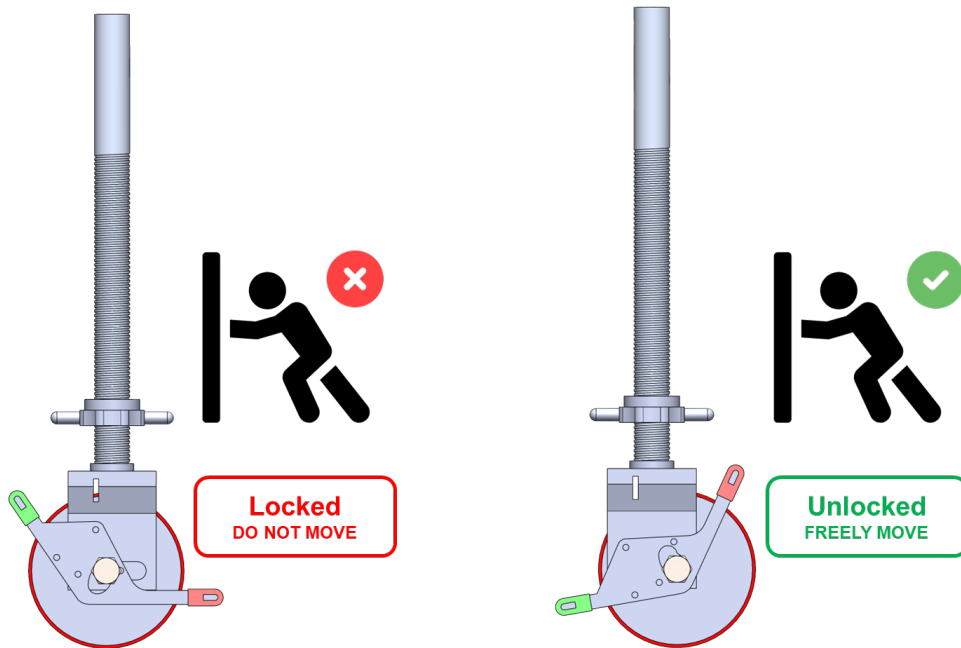
Updated on: 29/05/2024

### **Table of Content**

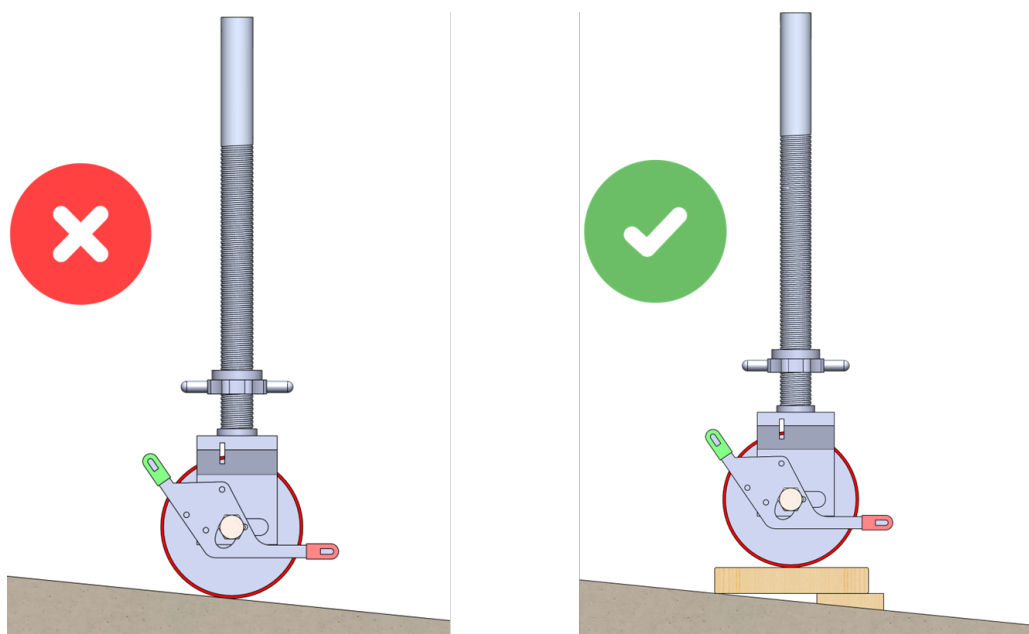
Product Specification .....	3
Component Introduction .....	5
Installation and User Guide (N4, W4, N6, W6) .....	8
Installation and User Guide (S4).....	15

# WARNING

Do **NOT** push or move the mobile scaffold when the wheels are locked. Doing so poses a severe risk to the user and can cause significant damage to the wheels. This action may also void the warranty.



Do **NOT** place the mobile scaffold directly on inclined surfaces. Doing so poses a severe risk to the user and can cause significant damage to the wheels. This action may also void the warranty. Instead, fill the ground under the wheels to **level the surface**.



# Product specifications

All models are rated for light-duty with a Safe Working Load (SWL) of 225kg. Our products are constantly being updated, and we may not be able to notify every customer. If you are interested in our updates, please keep an eye on our website.

## N4

2.5m long

0.74m wide

platform high up to 4.6m

reach 6.6m



## W4

2.5m long

1.3m wide

platform high up to 4.6m

reach 6.6m

**N6**

2.5m long  
0.74m wide  
top platform high up to 6.6m  
reach 8.6m



**W6**

2.5m long  
1.3m wide  
top platform high up to 6.6m  
reach 8.6m



**S4**

1.9m long  
0.74m wide  
top platform high up to 4.3m  
reach 6.3m



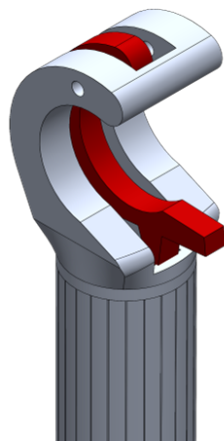


# Installation and User Guide

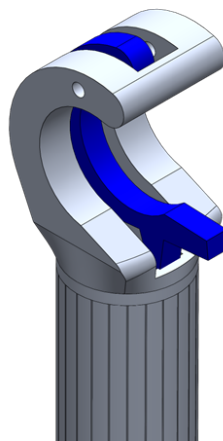
This product includes five models: N4, W4, N6, W6, and S4. The installation procedures for all models are similar. Therefore, this guide demonstrates the most complex one, which is W6.

## 1. Component introduction

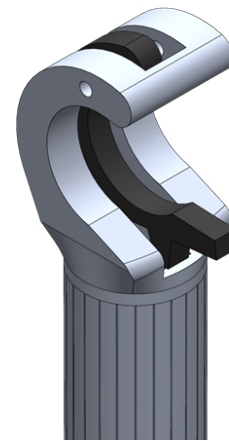
a) **Brace:** Distinguish by color of the hook.



**Diagonal Brace**  
**Red**



**Horizontal Brace**  
**Blue**



**Bottom Brace**  
**Black**

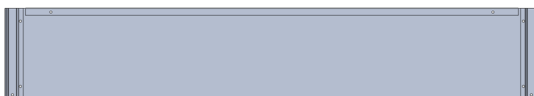
b) **Toeboard:** 2.5m and 1.3m for W4 and W6, 2.5m and 0.7m for N4 and N6



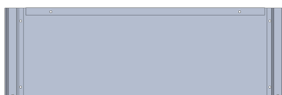
2.5m



1.9m

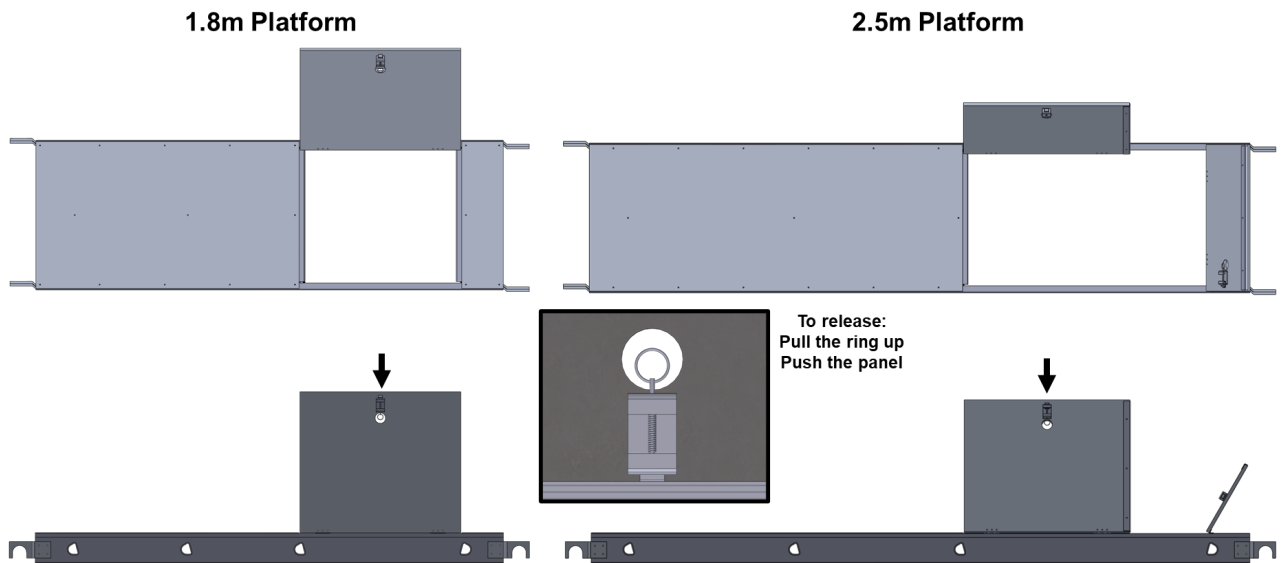


1.3m

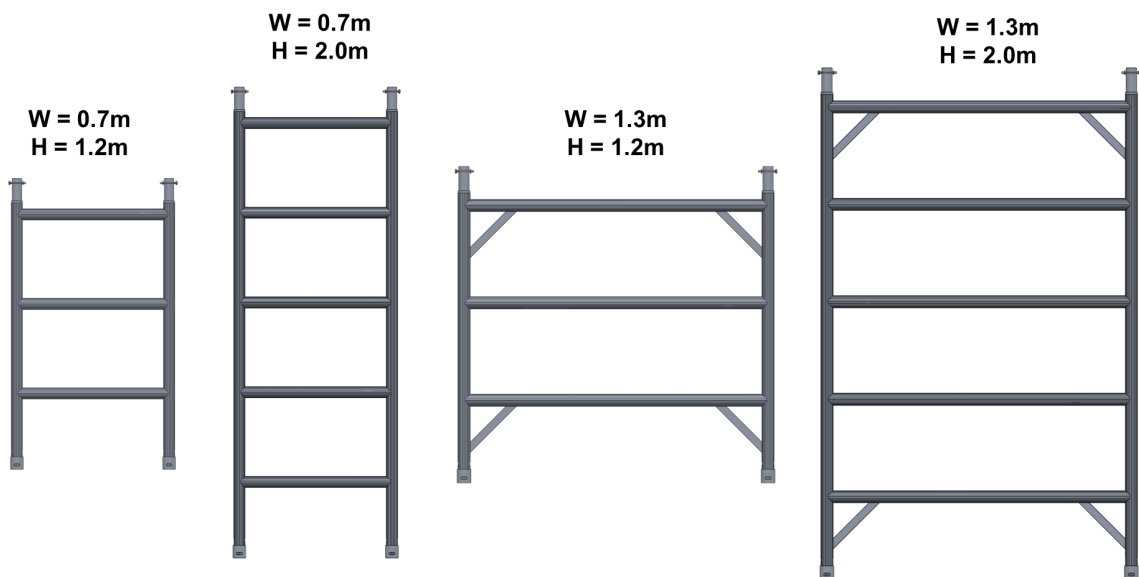


0.7m

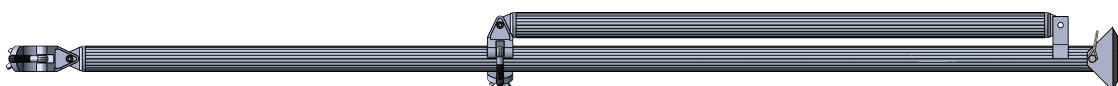
c) **Platform:** 1.9m for S4, 2.5m for N4, W4, N6 and W6



d) **Frame wide:** 0.7m for S4, N4 and N6; 1.3m for W4 and W6.

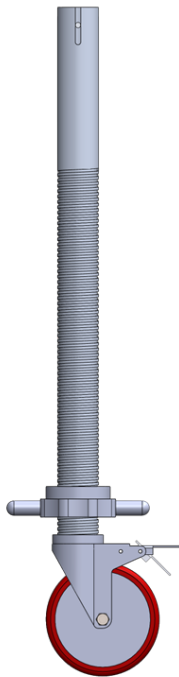


e) **Adjustable Stabilizer**

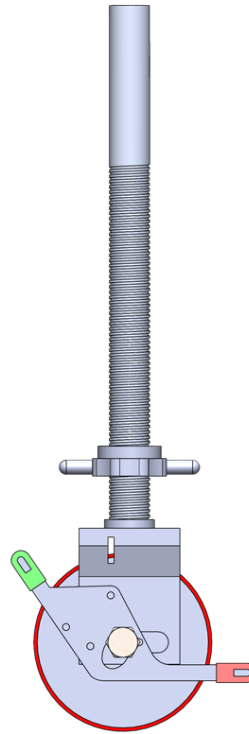


f) **Caster wheel:** 5" for S4, 8" for N4, W4, N6 and W6

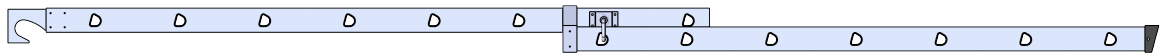
**5" Wheel**



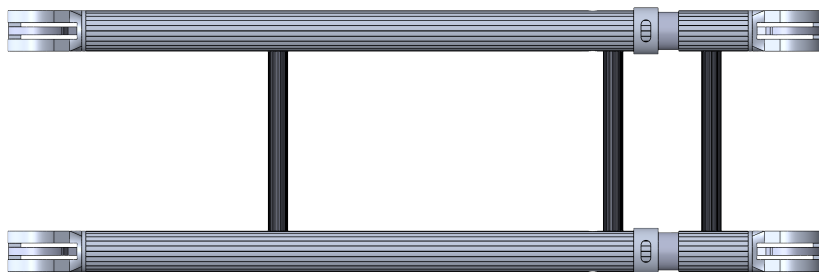
**8" Wheel**



g) **Ladder:** for N6 and W6



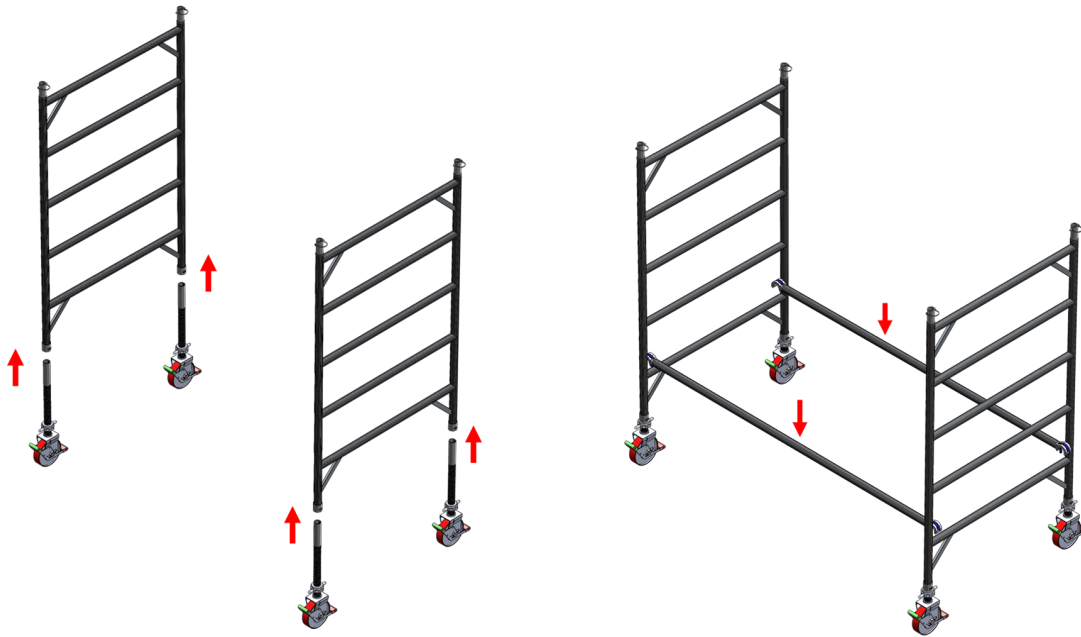
h) **Adjustable Ladder support**



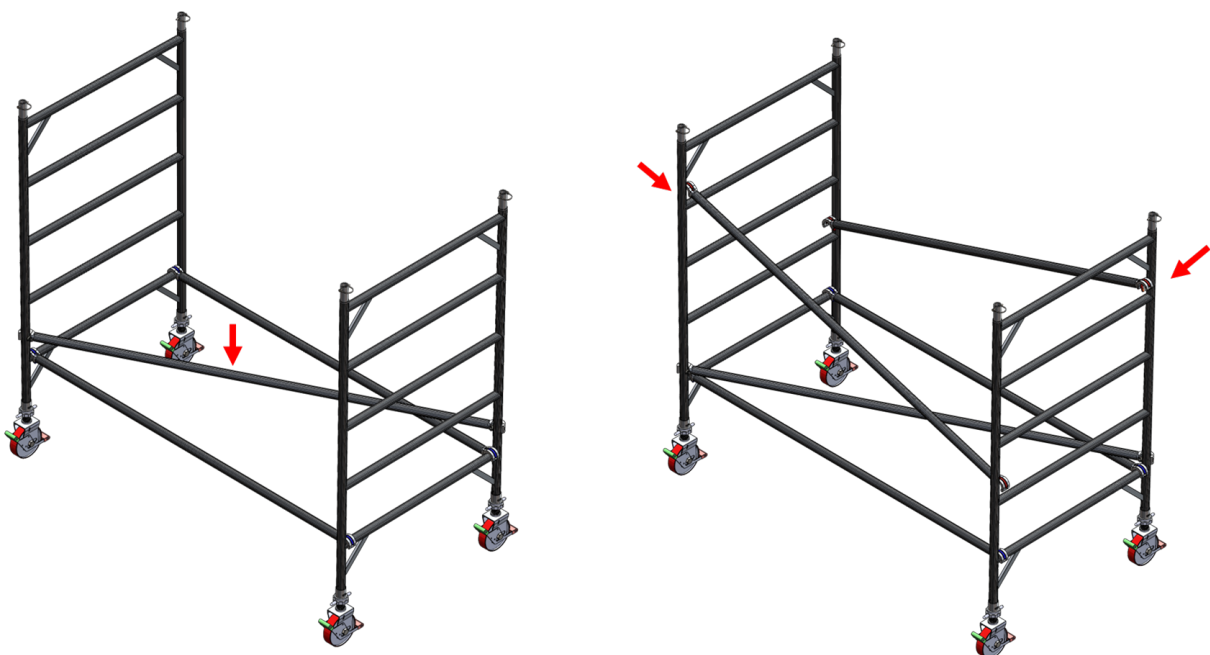
## 2. Installation Process for W6

(Installation of N4, W4, N6 is similar)

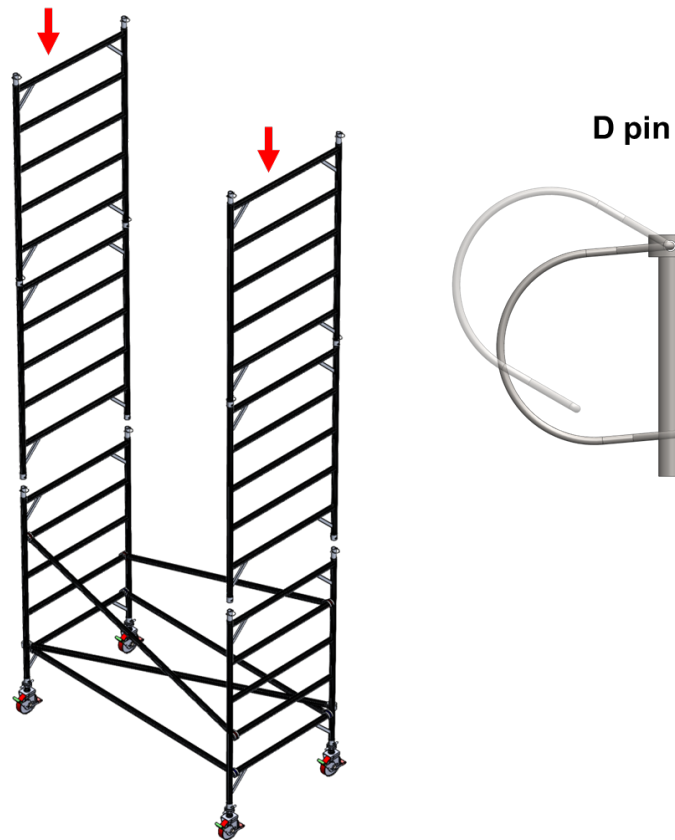
- 2.1. Make sure the wheel brake is engaged before installation. Inset the **8 inches caster wheels** (4 off) to **2.0m frame** (2 off). Adjust the thread rod nut for desired wheel height.
- 2.2. Install the **Horizontal brace** (Blue) (2 off) to the bottom row of the frame.



- 2.3. Attach the **Bottom brace (Black)** (1 off) on top of the horizontal brace.
- 2.4. Install the **Diagonal brace (Red)** (2 off) to each side of the frame. Attach one end to the 4<sup>th</sup> row of the frame, and the other end to the 2<sup>nd</sup> row of the frame. Opposite on the other side.

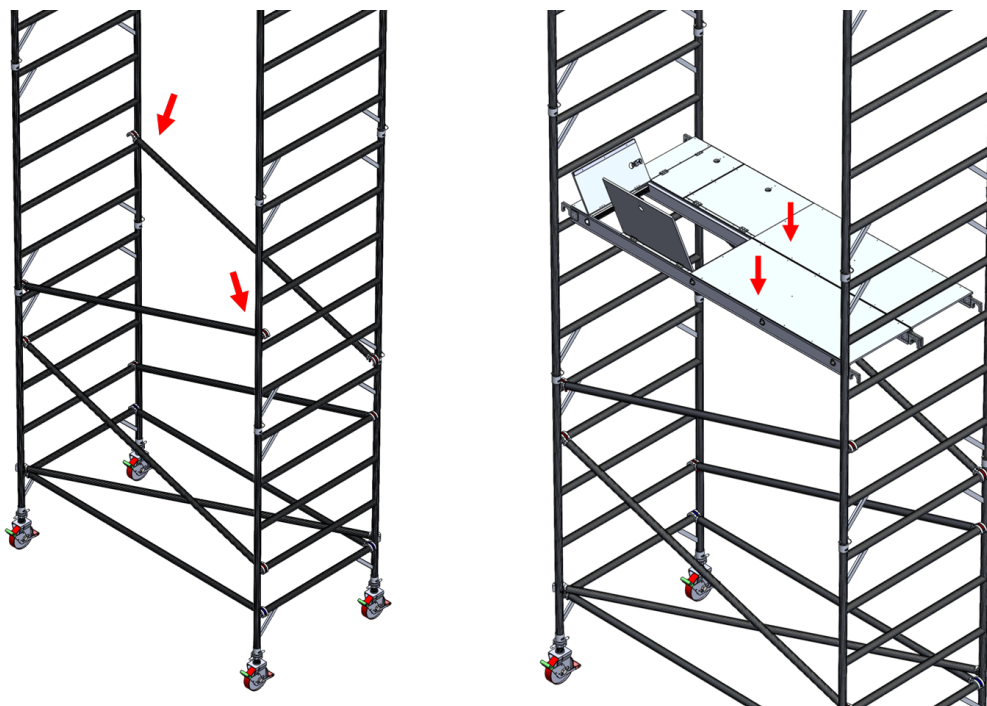


2.5. Assemble **2.0m frame (2 off)** and **2.0m frame (2 off)** to **4.0m frame (2 off)**, and install on top of the existing frame and lock with D-pin.

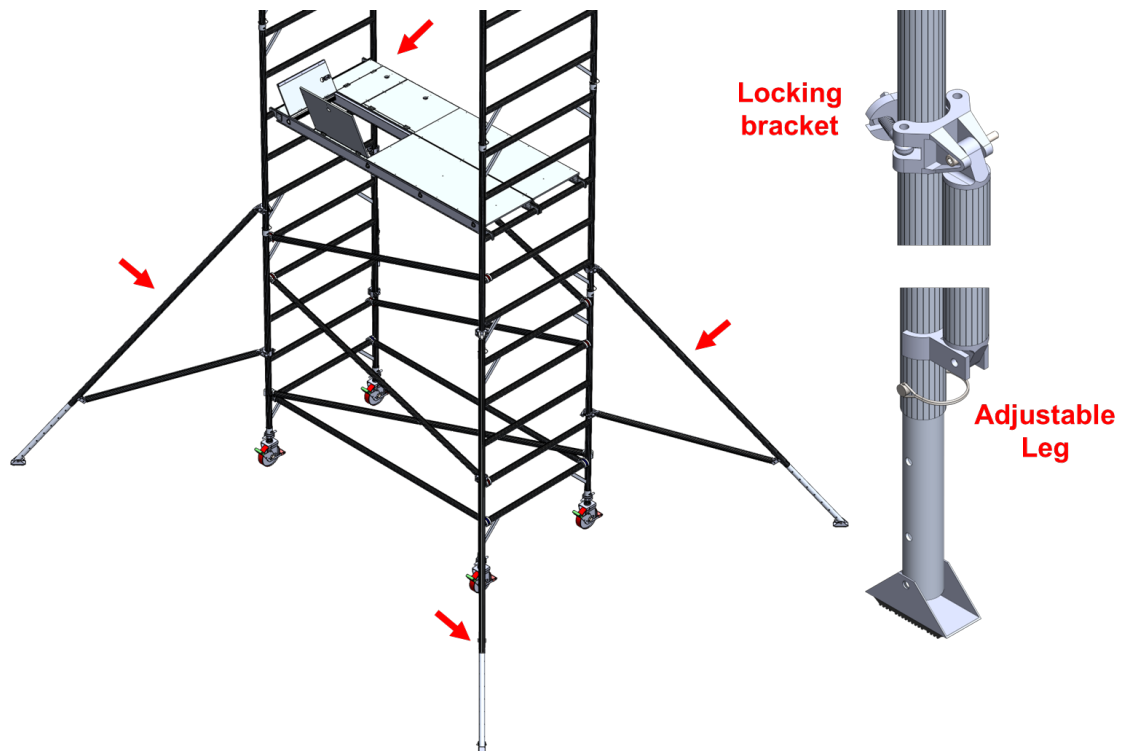


2.6. Install the **Diagonal braces (Red)** (2 off). One end on the 7<sup>th</sup> row, the other on the 5<sup>th</sup> row.

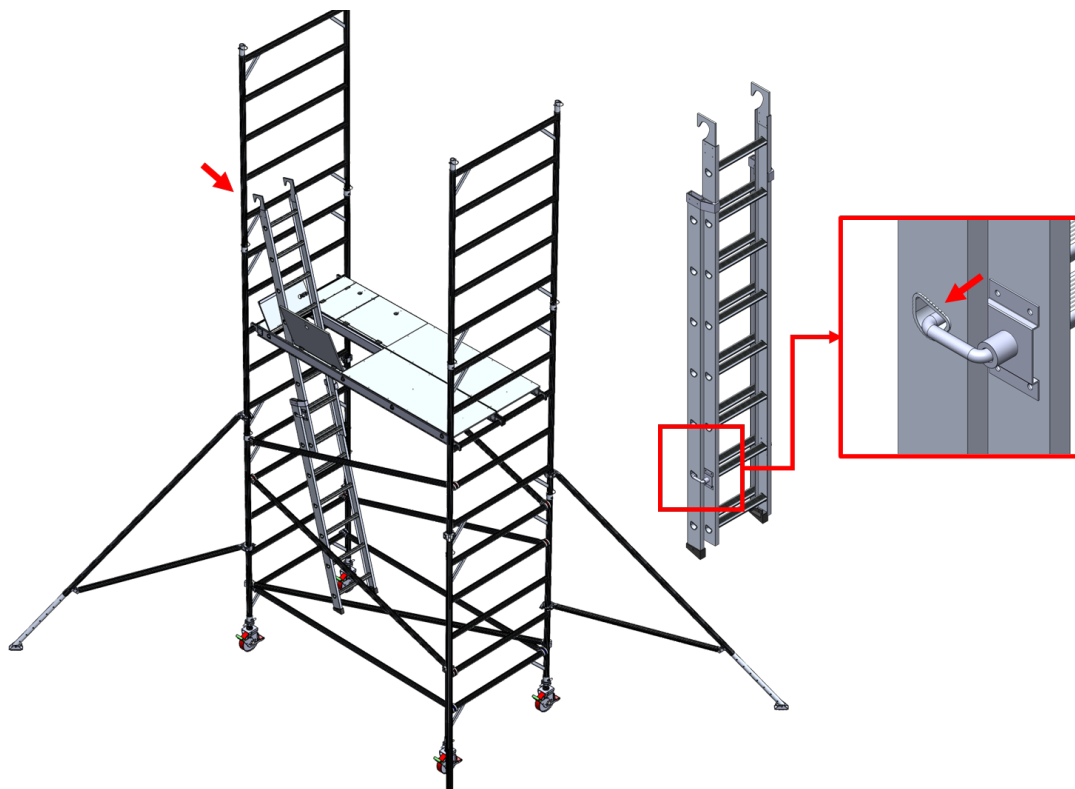
2.7. Install the **2.5m platforms (2 off)** to the 8<sup>th</sup> row.



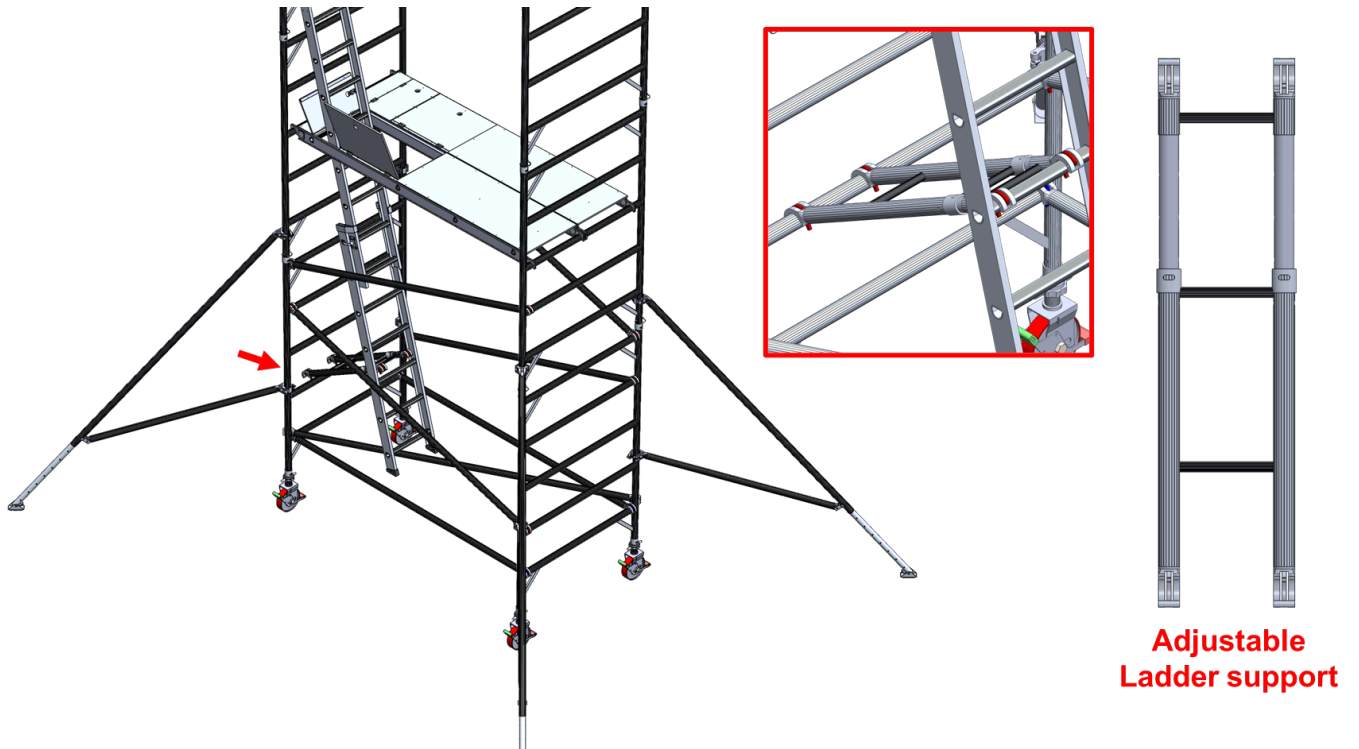
2.8. Attach the **Stabilizer** to the vertical member (between the 5<sup>th</sup> and 6<sup>th</sup> row) of the frame (2 off for W4,N4 and 4 off for W6, N6). Tighten the nut on the Locking bracket to secure the stabilizer to the frame. Adjustable leg for height adjustment.



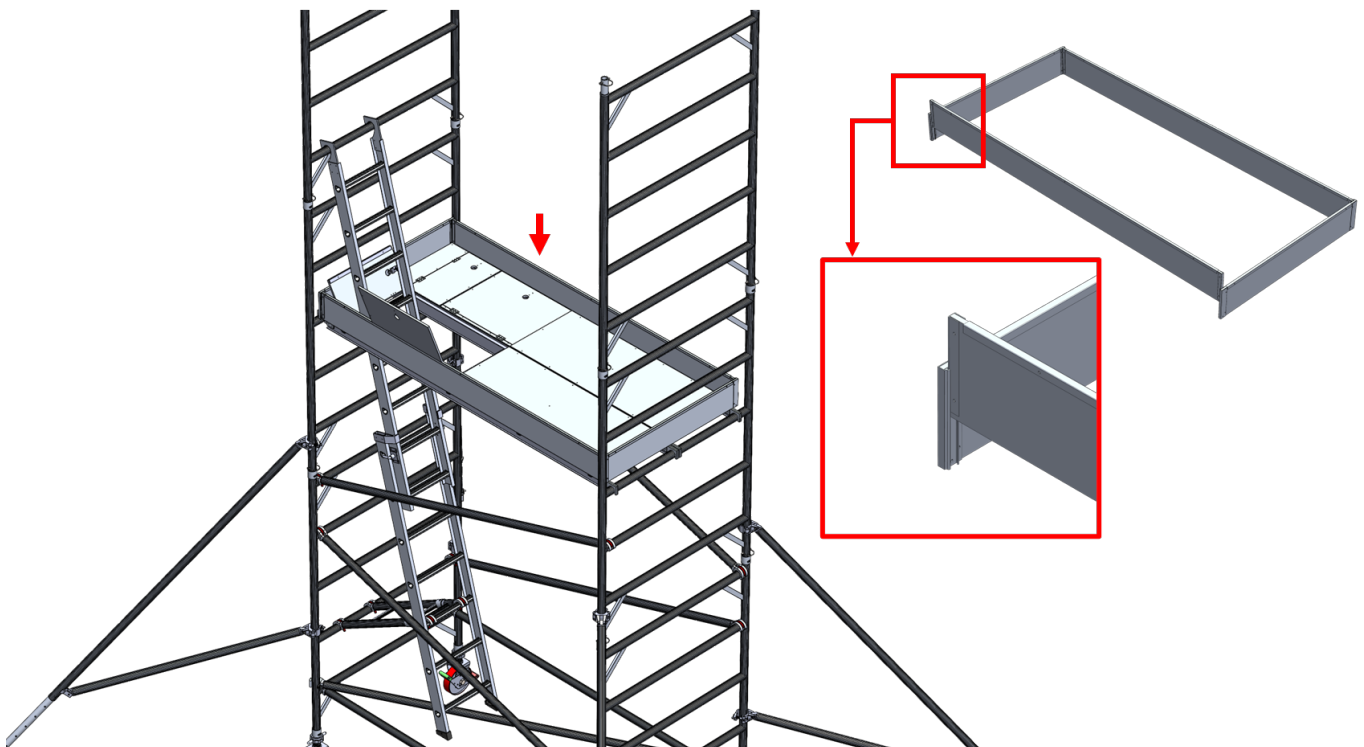
2.9. Installed the **Extendable ladder** (1 off) into one of the openings on the platform. Hook the top on the 11<sup>th</sup> row of the frame. The ladder can be extended by pulling out the handle and slide.



2.10. Attach the **Ladder support** (1 off) with one end on the 2<sup>nd</sup> row, and the other end on the 3<sup>rd</sup> row of the ladder. Ladder support is extendable and can be locked by D-pin.

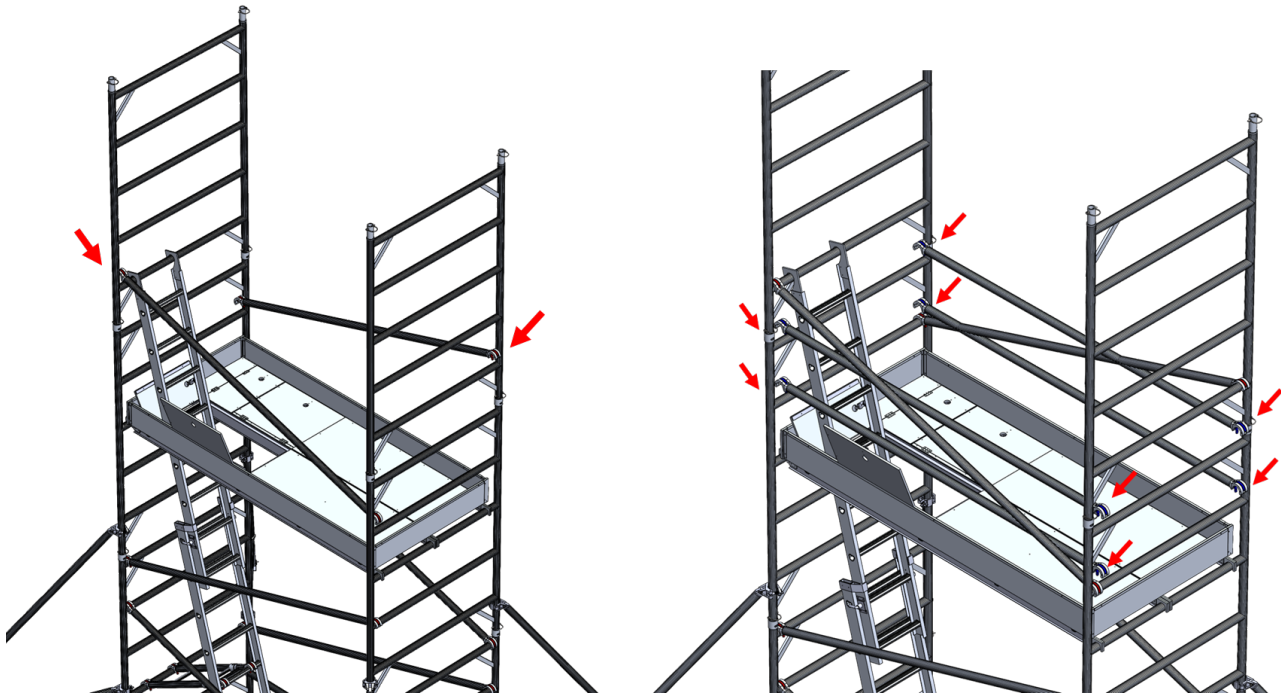


2.11. Installed the **2.5m Toeboard** (1 off) around the platform. The board can be easily slot in place.

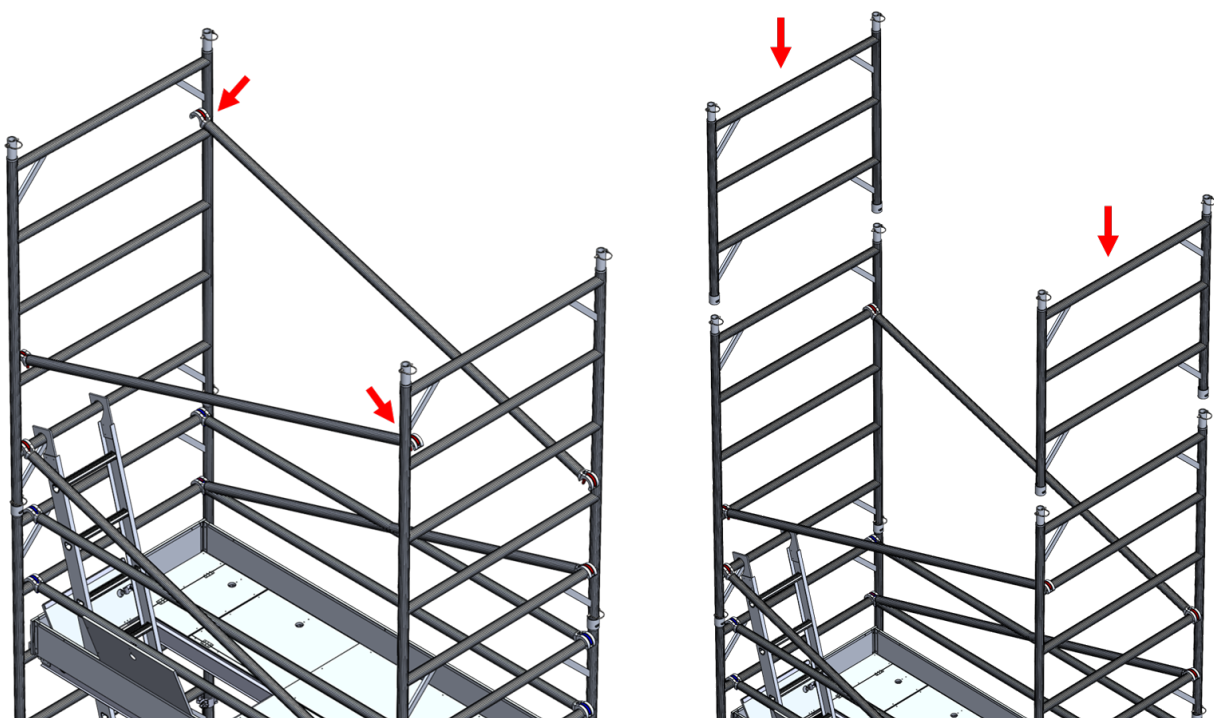




- 2.12. Install additional **Diagonal brace (Red)** (2 off) to the frame, with one end on 9<sup>th</sup> row, and the others on 11<sup>th</sup> row.
- 2.13. Install the **Horizontal Brace (Blue)** (4 off) to the 9<sup>th</sup> and 10<sup>th</sup> row of the frame.

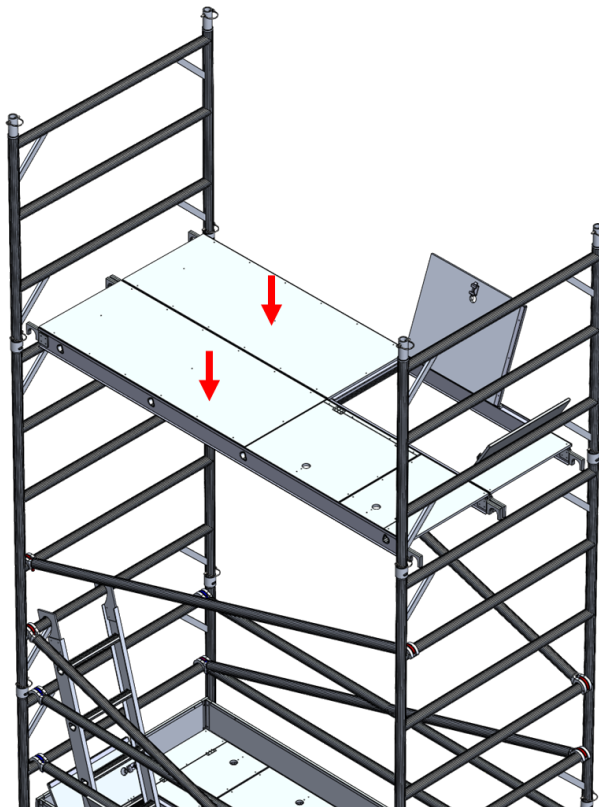


- 2.14. Install additional **Diagonal brace (Red)** (4 off) to the frame, with one end on 12<sup>th</sup> row, and the others on 14<sup>th</sup> row.
- 2.15. Add the **1.2m Frame** (2 off) on top.

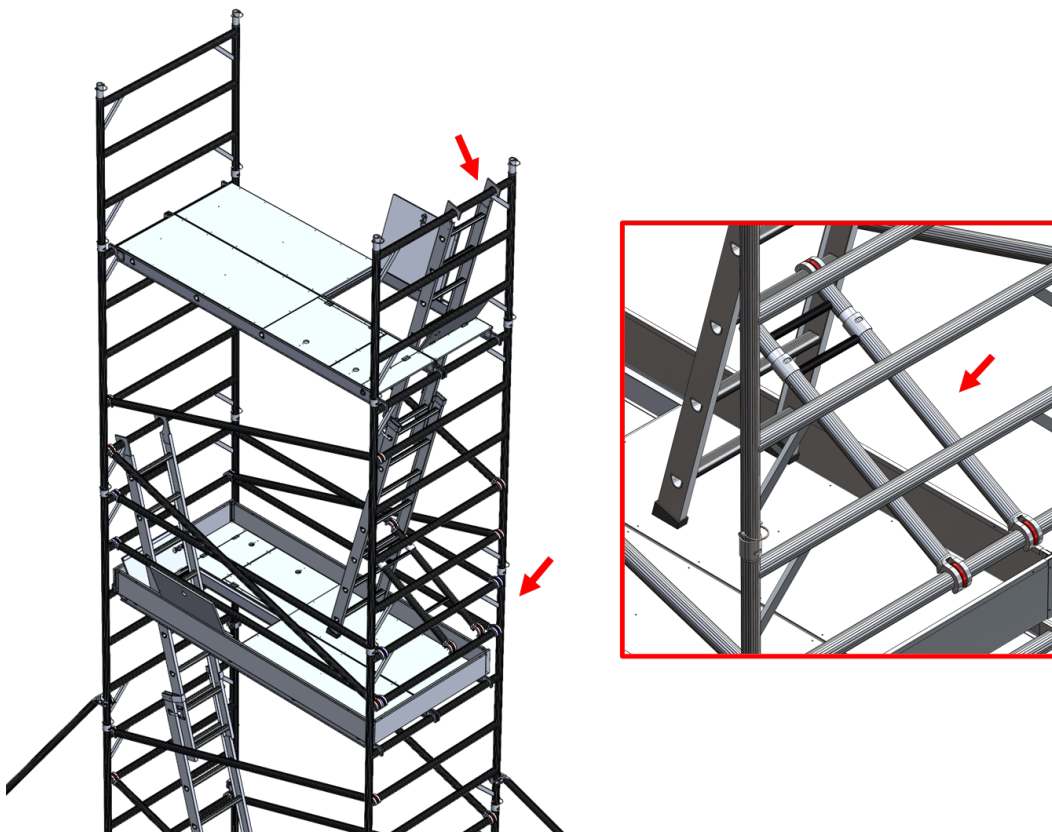




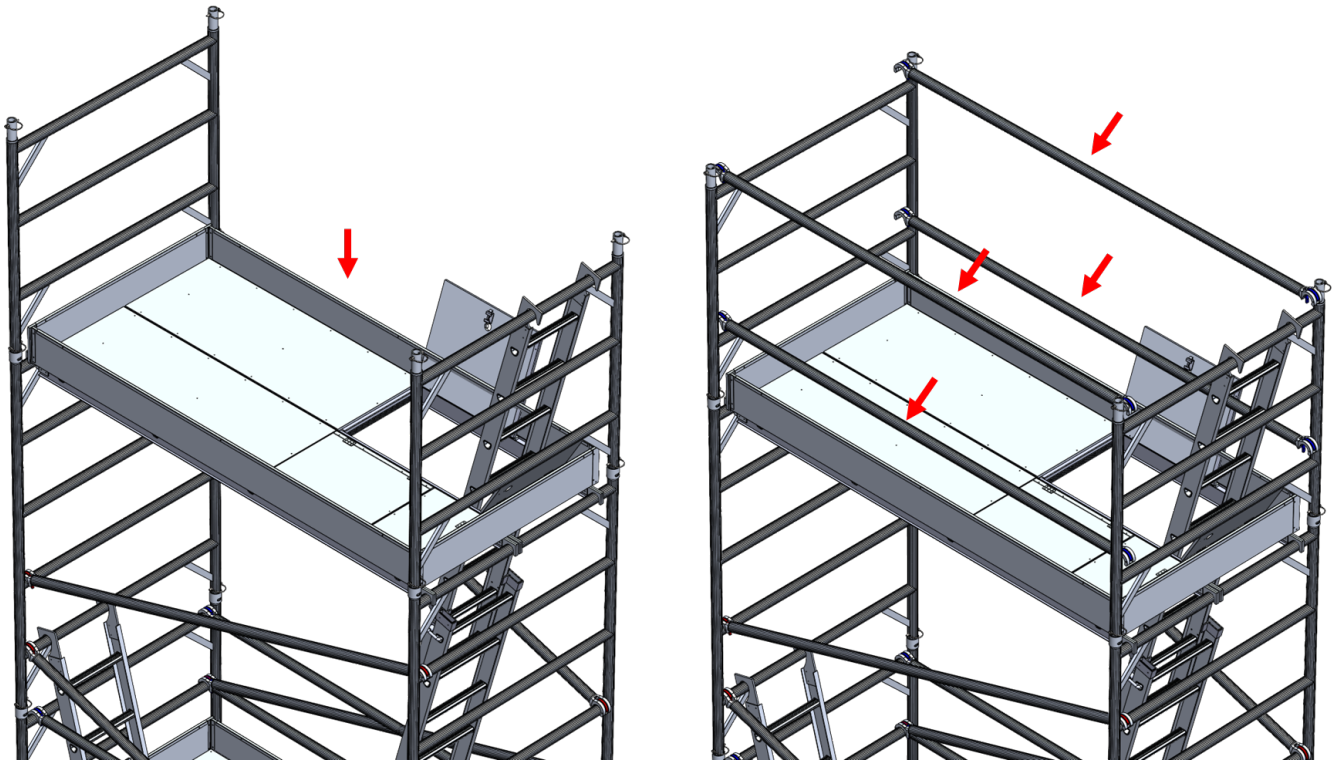
2.16. Install the **2.5m Platform** (2 off) to the 4<sup>th</sup> row from top.



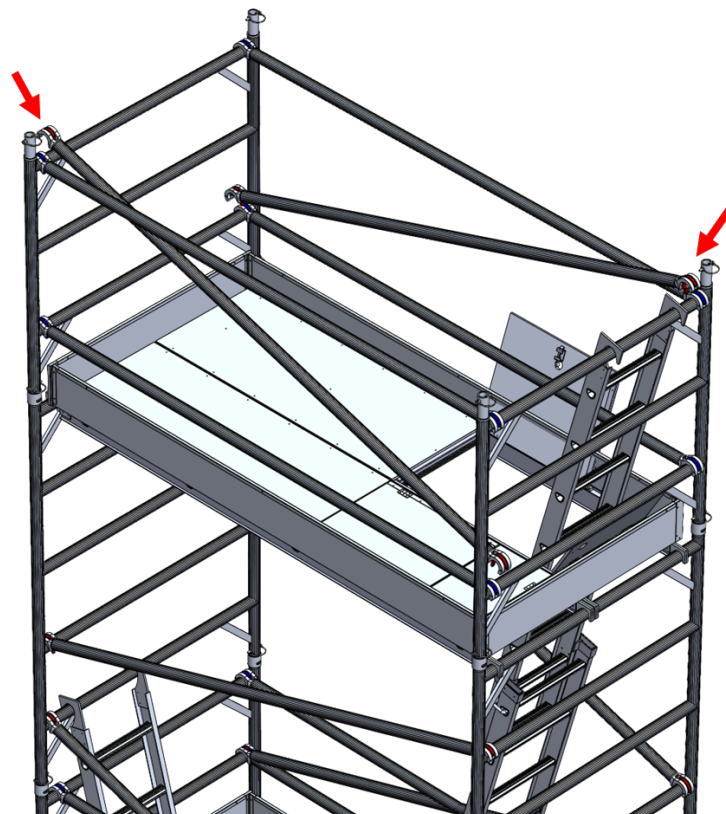
2.17. Attach **Extendable ladder** (1 off) to the top row and **ladder support** to the 9<sup>th</sup> row of the frame.



- 2.18. Install the **2.5m Toeboard** (1 off)
- 2.19. Install the **Horizontal Brace (Blue)** (4 off) to the top and 3<sup>rd</sup> from top row of the frame.

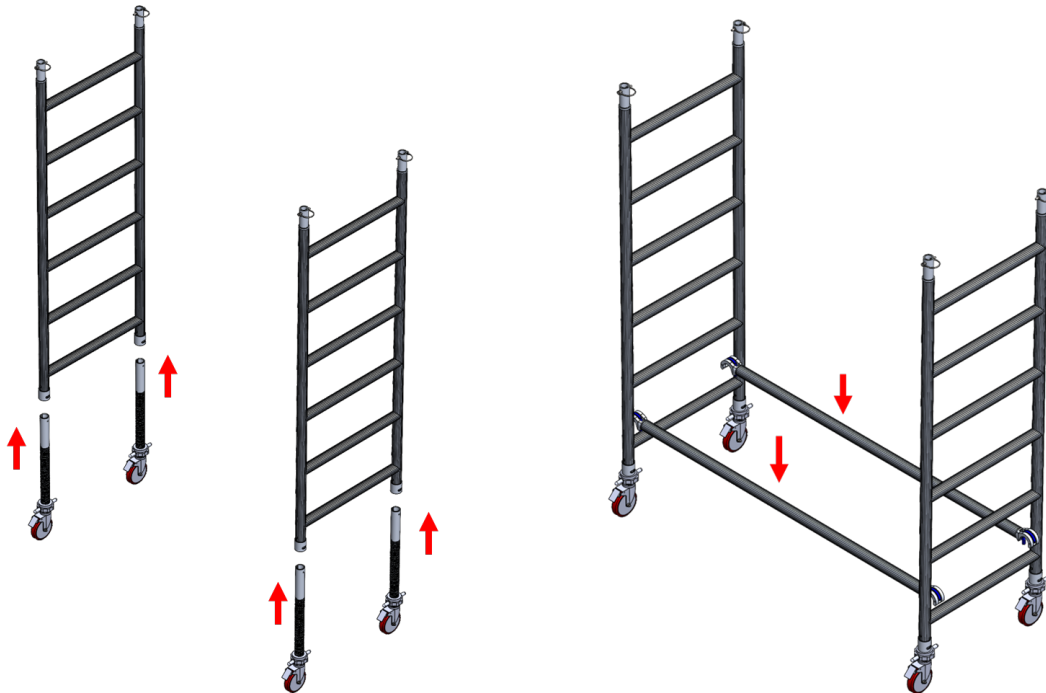


- 2.20. Finish by installing the **Diagonal brace (Red)** (2 off) connecting the top and 3<sup>rd</sup> from top row.



### 3. Installation Process for S4

- 3.1. Make sure the wheel brake is engaged before installation. Inset the **5 inches caster wheel** (4 off) to the base of the **2.0m frame** (2 off). Adjust the thread rod nut for desired wheel height.
- 3.2. Install the **Horizontal brace** (Blue) (2 off) to the first row of the frame.

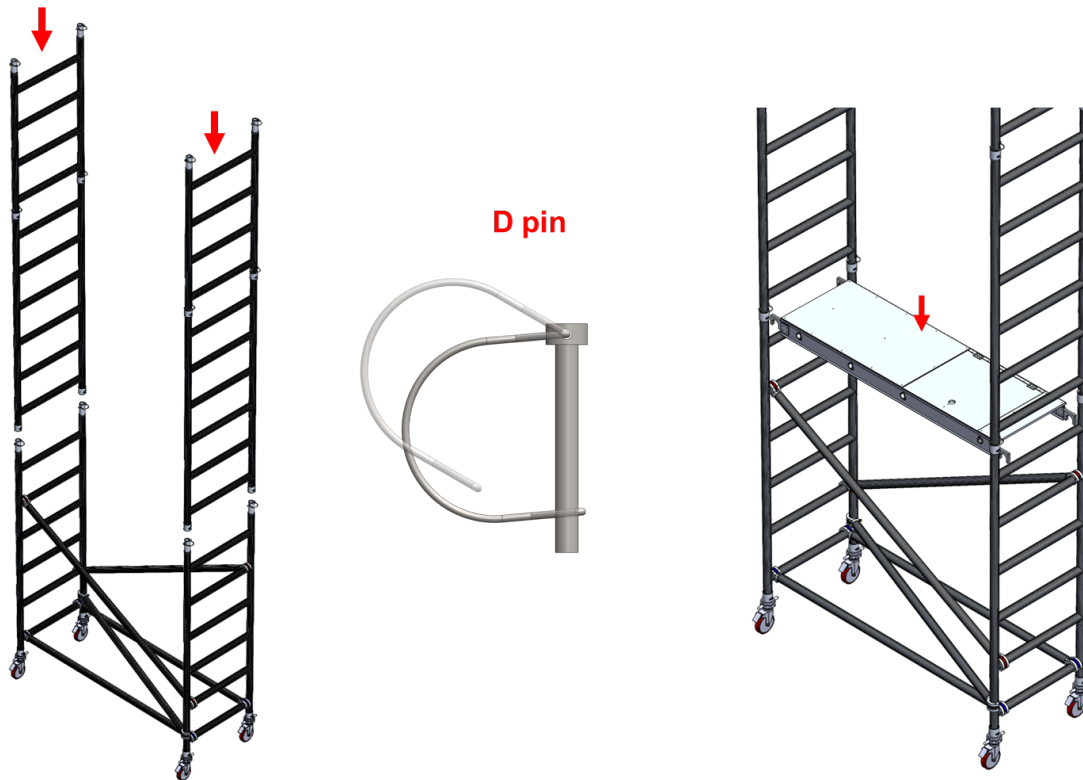


- 3.3. Attach the **Bottom brace** (Black) (1 off) on top of the horizontal brace.
- 3.4. Install the **Diagonal brace** (Red) (2 off) to each side of the frame. Attach one end to the 5<sup>th</sup> row of the frame, and the other end to the 2<sup>nd</sup> row of the frame. Opposite on the other side.

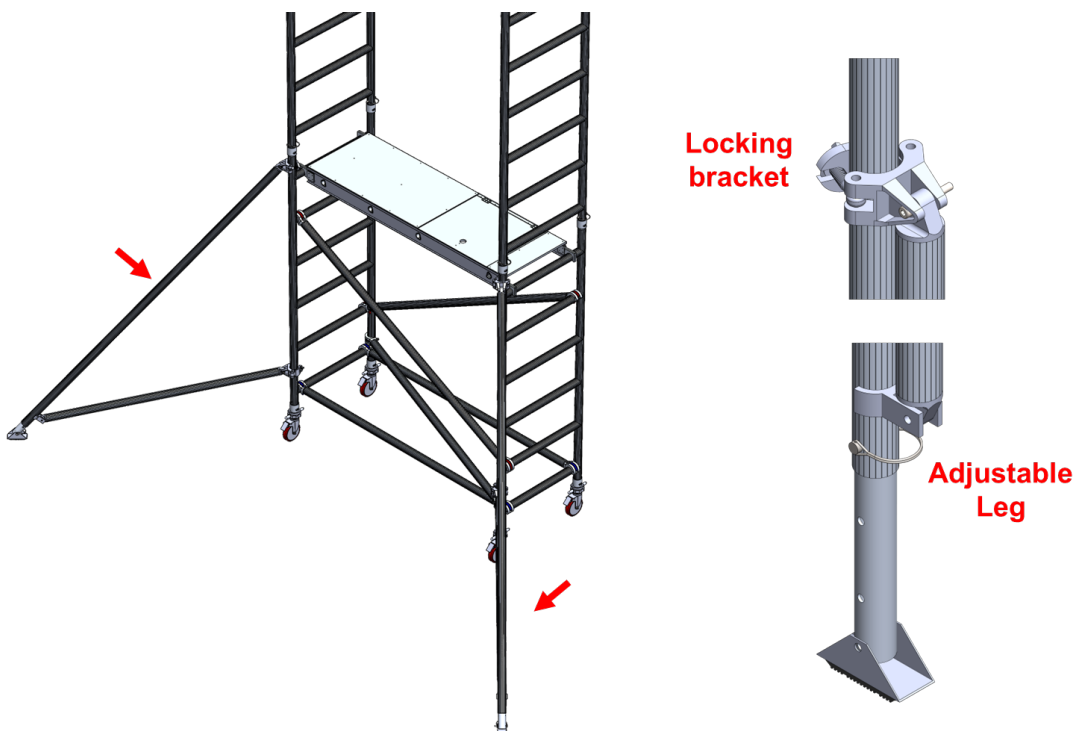


3.5. Assemble **2.0m frame** (2 off) and **1.2m frame** (2 off) to **3.2m frame** (2 off). Installed on top of the existing frame and lock with D-pin.

3.6. Install the **1.8m Platform** (1 off) to the 6th row of the frame.



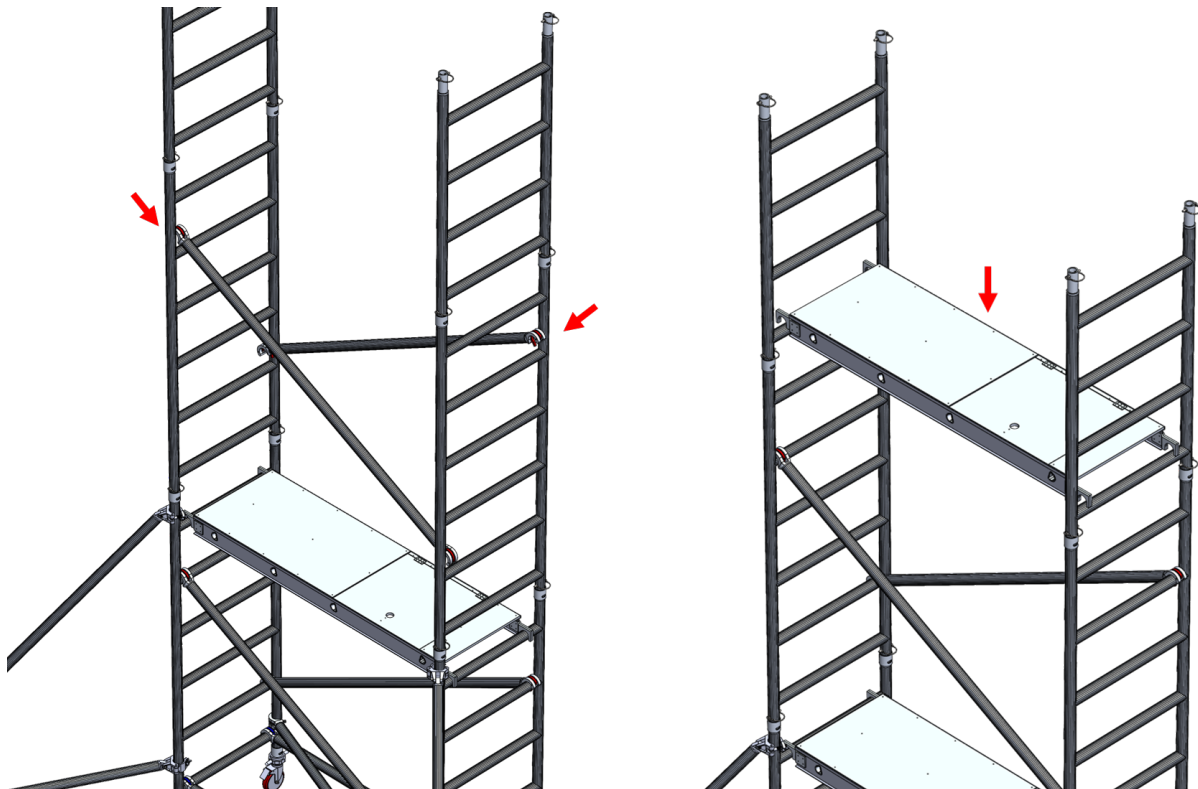
3.7. Attach the **Stabilizer** to the vertical member (between the 6<sup>th</sup> and 7<sup>th</sup> row) of the frame (2 off). Tighten the nut on the Locking bracket to secure the stabilizer to the frame. Adjustable leg for height adjustment.





3.8. Install the **Diagonal braces (Red)** (2 off). One end on the 8<sup>th</sup> row, the other on the 5<sup>th</sup> row.

3.9. Install the **1.8m Platform** (2 off) to the 4<sup>th</sup> from top row.



3.10. Install the **1.8m Toeboard** (1 off).

3.11. Install the **Horizontal Brace (Blue)** (4 off) to the top and 3<sup>rd</sup> from top row of the frame.

